

StarLine

BMW-01

**Immobilizer bypass
programmer**

Setup manual

StarLine BMW-01 – is dedicated to activate keyless data bypass (iKey) of a factory immobilizer for BMW F series vehicles.

List of supported vehicles

Model	Engine type	Support
Series 3		
316d	B47D20, N47D20	✔
316i	N13B16	✔
318d, 318d xDrive	B47D20, N47D20	✔
318i	B38B15	✘
320d, 320d xDrive	B47D20, N47D20	✔
320i, 320i xDrive	N20B20	✔
320i, 320i xDrive	B48B20	✘
326d	N47D20	✔
326d	N26B20	✘
328i, 328i xDrive	N20B20, N26B20, N51B30, N52B30	✘
330d, 330d xDrive	N57D30	✘
330i, 330i xDrive	B48B20	✔
335d xDrive	N57D30	✔
335i, 335i xDrive	N55B30	✔
340i, 340i xDrive	B58B30	✘
Серия 5		
518d	B47D20	✔
520d, 520d xDrive	N47D20, N47D20	✔
523i	N52B25, N53B30	✘
525d, 525d xDrive	N47D20, N57D30	✔
528i	N20B20	✔
528i	N52B30	✘
525d, 525d xDrive	N47D20, N57D30	✔
530d, 530d xDrive	N57D30	✔
530i	N53B30	✘
535d, 535d xDrive	N57D30	✔
535i, 535i xDrive	N55B30	✔
550d	N57D30	✔
550i, 550i xDrive	N63B44A	✘

550i, 550i xDrive	N63B44B	✓
X3		
18d sDrive	B47D20, N47D20	✓
20d xDrive	B47D20, N47D20	✓
20i sDrive	N20B20	✓
20i xDrive	N20B20	✓
28i sDrive	N20B20	✓
28i xDrive (2011-2013)	N52B30	✗
28i xDrive (2014-2017)	N52B30	✓
30d xDrive	N57D30	✓
35d xDrive	N57D30	✓
35i xDrive	N55B30	✓
X5		
25d xDrive, 25d sDrive	B47D20, N57D30	✓
28i xDrive	N20B20	✓
30d xDrive	N57D30	✓
35i xDrive, 35i sDrive	N55B30	✓
40d xDrive	N57D30	✓
50i sDrive	N63B44	✓
X5M	S63B44	✓
X5M 50d	N57D30	✓

Immobilizer data bypass (iKey) activation

Step 1

1. Reset StarLine main unit to the factory settings.
2. Select the matching software for supported vehicle model from CAN library or download individual software package from can.starline.ru and upload it into StarLine system main unit with use of StarLine Master program.
3. Select the vehicle model in home tab and save changes.
4. Make the wiring connection to vehicle circuits according recommendations at can.starline.ru "Connection points" section.
5. Press the valet button of main unit 14 times.
Switch IGN On and wait for the double beep siren sound or valet button LED double flash confirmation.

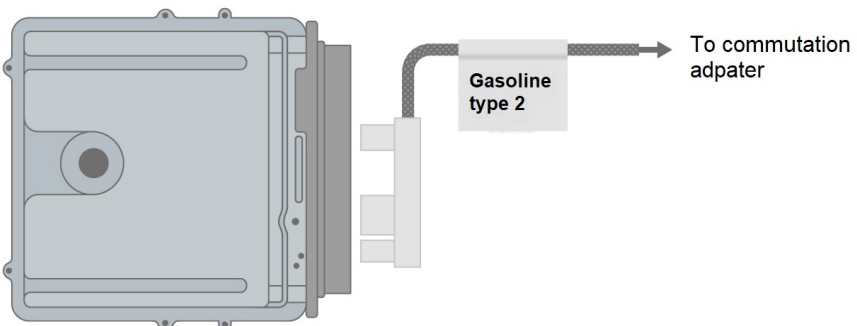
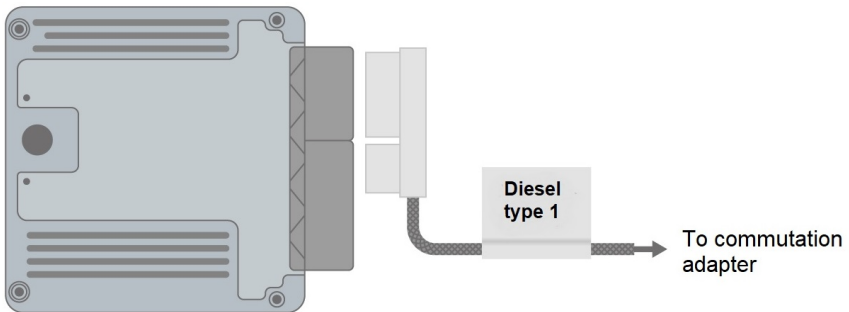
6. Disconnect StarLine main unit from vehicle circuits (make sure CAN bus harness is disconnected).
7. Connect security system main unit to the laptop via USB and launch StarLine Master program.
7. Make CopyKey procedure.

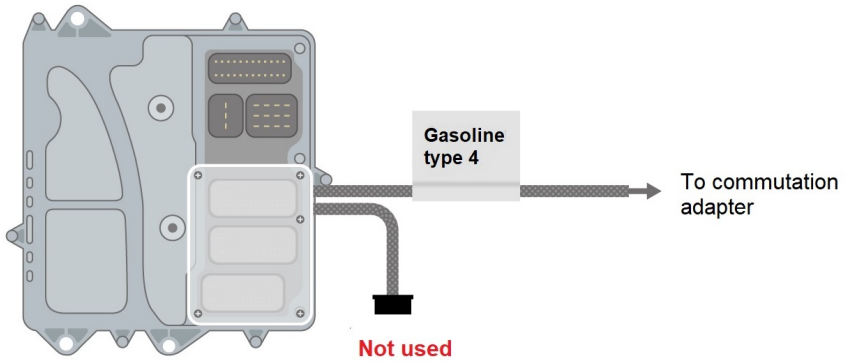
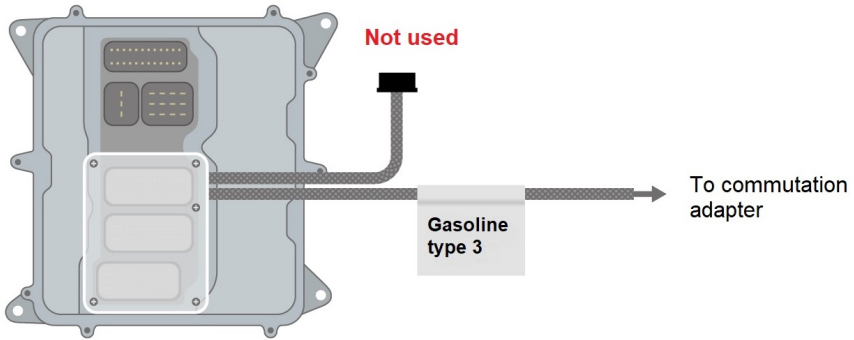
Warning!

Do not connect security system main unit to the vehicle CAN bus after Step 1 !

Step 2

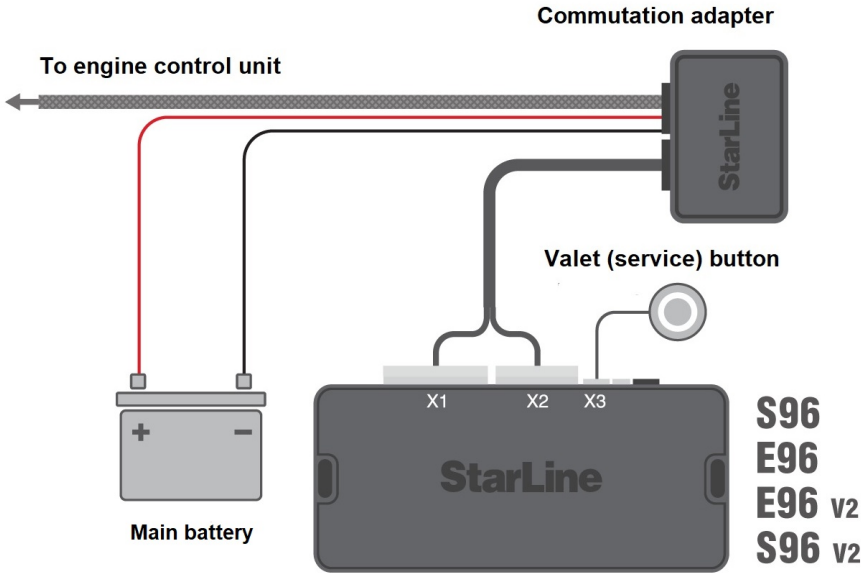
1. Switch IGN Off. Disconnect main vehicle battery plugs and disconnect engine control unit (ECU) wire connectors carefully.
2. Select the cable assembly corresponding an engine type and connect it to engine control unit (ECU) sockets according to diagram.



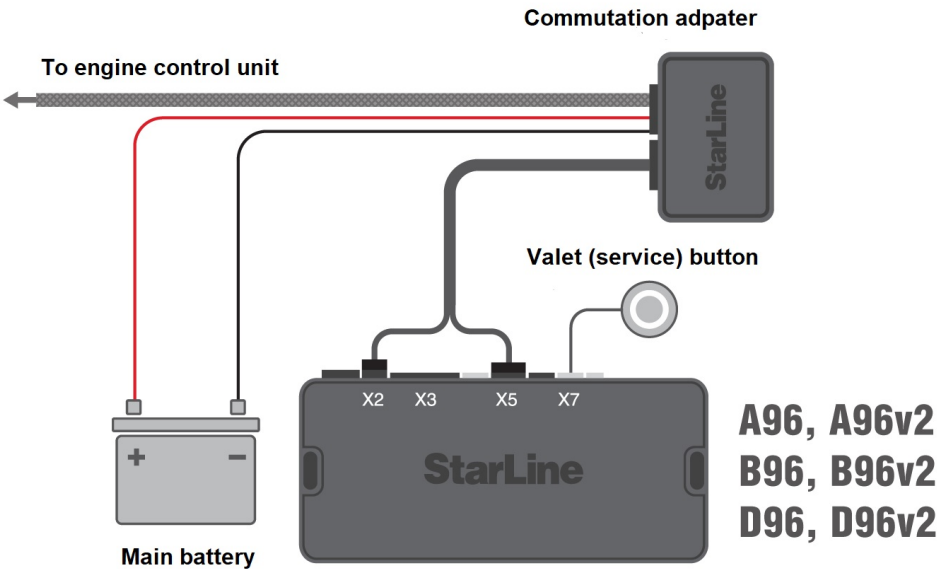


3. Connect ECU with StarLine security systems main unit via commutation adapter according to diagram.

Connection diagram for StarLine S9 E9 models



Connection diagram for StarLine B9 AS9 models



4. Press valet button 14 times and wait for valet button LED double flash confirmation.
4. Connect StarLine main unit to laptop with StarLine master and make CopyKey procedure.
5. Repeat selecting the correspondent vehicle CAN software (Step 1, p.1-2).
6. Proceed with installation and configuration on vehicle.

Manufacturer reserves the rights to change and improve design and technical specification without prior notice.

Manufacturer:

ScPA StarLine Ltd

9A, Komissara Smirnova Str., S.Petersburg, 194044, Russia
www.alarmstarline.com