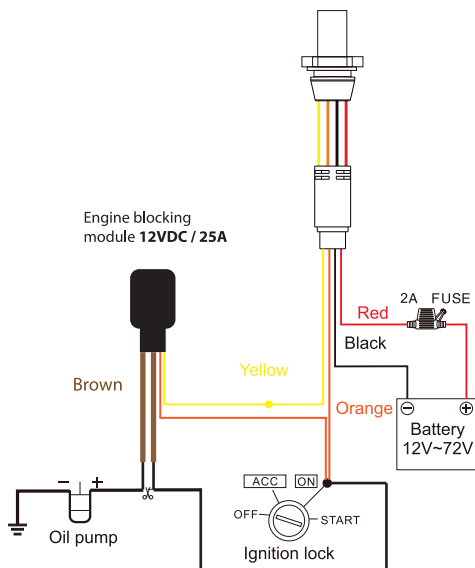


WIRING DIAGRAMM

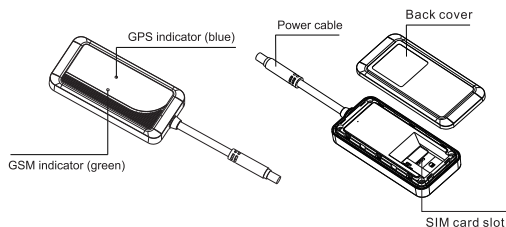


* connections shall be made by qualified electrician with good knowledge of vehicle schematics. Unauthorized installations can cause damage to the device that is not covered by warranty.

* engine blocking command shall be used only when car is parked!

R&P Grupp OÜ, Kadaka tee 1, Tallinn, Estonia +372 51 04 800 <https://starline-sales.eu>

STARLINE M13EU GPS TRACKER



StarLine M13EU
user manual

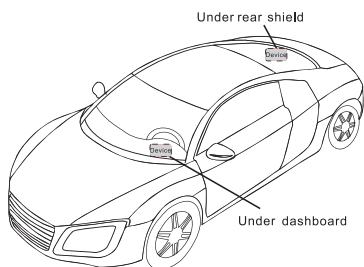
If SIM card is not provided with M13EU, insert your own micro SIM card with PIN code removed (!). Power on M13EU and send SMS command: **APN,1234,xxx#** where **xxx** is your GSM provider APN address

SPECIFICATION

GSM Band	850/900/1800/1900 MHz
GNSS Type	GPS, BDS, LBS
Antenna	Built-in GPS ceramic antenna; GSM quad-band antenna
LED indicator	GPS(blue), GSM(green)
Working voltage/current	9-90V DC
Standby current	<5mA
Operating temperature	-20°C to +70°C
Weight	29g
Dimension	71.9*30.2*12.9mm

INSTALLATION RECOMMENDATIONS

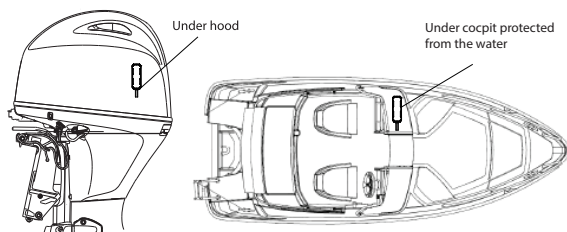
Please install the device under the guidance of professional personnel.



Note:

The device should face up to the sky.

Metal thermal barrier or heating layer of the windshield affects the signal. Please change installation places to receive better signal.



INSTALLATION RECOMMENDATIONS

