

# **StarLine**

## **VAG-01**

**Immobilizer bypass  
programmer**

**Setup manual**

## List of supported vehicles

Models	Years	Engine
<b>Audi</b>		
A3	2013-2020	1.4TSI
Q3	2015-2019	1.4TSI
Q3	2019-2020	1.4TSI
<b>SEAT</b>		
Leon	2013-2020	1.4TSI, 1.2TSI
<b>Skoda</b>		
Kodiaq	2017-2020	1.4TSI
Octavia	2013-2020	1.4TSI, 1.2TSI
Rapid	2016-2020	1.4TSI
Rapid	2020-	1.4TSI
Superb	2016-2020	1.4TSI
<b>Volkswagen</b>		
Golf	2013-2020	1.4TSI
Jetta	2020-	1.4TSI
Passat	2020-	1.4TSI
Polo Sedan	2016-2020	1.4TSI
Polo Liftback	2020-	1.4TSI
Tiguan	2017-2020	1.4TSI

## Immobilizer data bypass (iKey) activation

### **Step 1**

1. Select the matching software for supported vehicle model from CAN library or download individual software package from [can.starline.ru](http://can.starline.ru) and upload it into StarLine system main unit with use of StarLine Master program.
2. Make reset to the factory settings. Select the vehicle model in home tab and save changes.
3. Make the wiring connection to vehicle circuits according recommendations at [can.starline.ru](http://can.starline.ru) "Connection points" section.
4. Press the valet button of main unit 14 times.  
Switch IGN On and wait for the double beep siren sound or valet button LED double flash confirmation.

5. Disconnect StarLine main unit from vehicle circuits (make sure CAN bus harness is disconnected).
6. Connect security system main unit to the laptop via USB and launch StarLine Master program.
7. Make CopyKey procedure.

### **Warning!**

**Do not connect security system main unit to the vehicle CAN bus after Step 1 !**

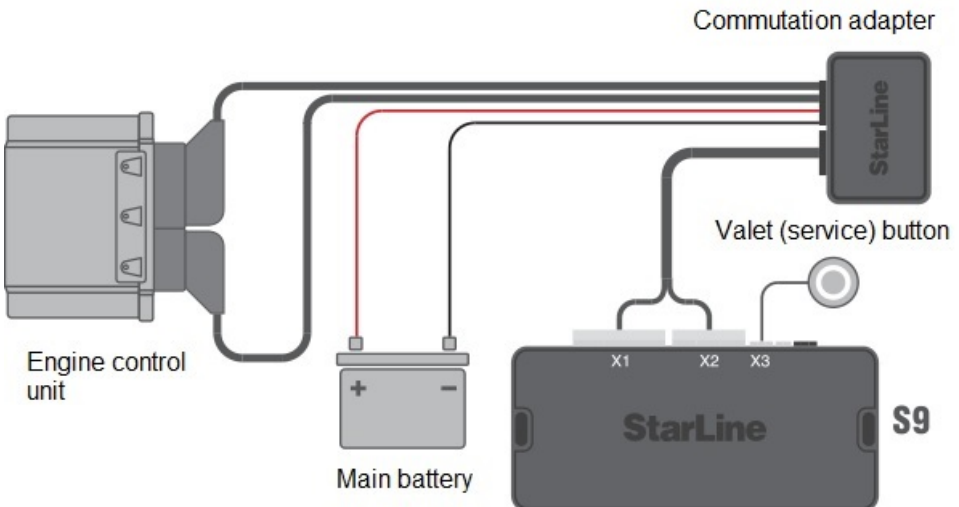
### **Step 2**

1. Switch IGN Off.

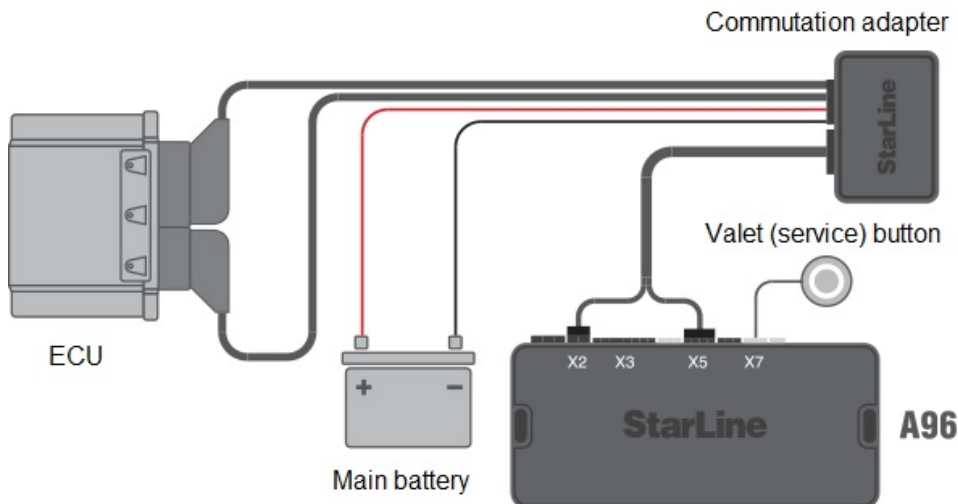
Disconnect main vehicle battery plugs and disconnect engine control unit (ECU) wire connectors carefully.

2. Connect engine control unit (ECU) to StarLine main unit with use of VAG-01 plugs and adapter according to diagram.

### **Connection diagram for StarLine S9 E9 models**



## Connection diagram for StarLine B9 AS9 models



3. Press valet button 14 times and wait for valet button LED double flash confirmation.
4. Connect StarLine main unit to laptop with StarLine master and make CopyKey procedure.
5. Repeat selecting the correspondent vehicle CAN software (Step 1, p.1-2).
6. Proceed with installation and configuration on vehicle.

Manufacturer reserves the rights to change and improve design and technical specification without prior notice.

Manufacturer:

**ScPA StarLine Ltd**

9A, Komissara Smirnova Str., S.Petersburg, 194044, Russia  
[www.alarmstarline.com](http://www.alarmstarline.com)