

**StarLine**

**VAG-02**

**Immobilizer bypass  
programmer**

**Setup manual**

**StarLine VAG-02** – is the optional cable assembly used together with the commutation programmer from VAG-01 programmer set. It's dedicated to activate keyless data bypass (iKey) of a factory immobilizer for VW Touareg, Audi Q5, Q7, Porsche Cayenne, Macan vehicles with diesel engines.

Check out an actual list of supported models at [can.starline.ru](http://can.starline.ru) and [help.starline.ru](http://help.starline.ru)

### List of supported vehicles

Models	Years	Engine
Volkswagen		
Touareg (NF, FL)	20110-2018	diesel

### Immobilizer data bypass (iKey) activation

#### Step 1

1. Select the matching software for supported vehicle model from CAN library or download individual software package from [can.starline.ru](http://can.starline.ru) and upload it into StarLine system main unit with use of StarLine Master program.
2. Make reset to the factory settings. Select the vehicle model in home tab and save changes.
3. Make the StarLine security system main unit wiring connection to vehicle circuits according recommendations at [can.starline.ru](http://can.starline.ru) "Connection points" section.
4. Press the valet button of main unit 14 times.  
Switch IGN On and wait for the double beep siren sound or valet button LED double flash confirmation.
5. Disconnect StarLine main unit from vehicle circuits (make sure CAN bus harness is disconnected).
6. Connect security system main unit to the laptop via USB and launch StarLine Master program.
7. Make CopyKey procedure.

#### Warning!

**Do not connect security system main unit to the vehicle CAN bus after Step 1 !**

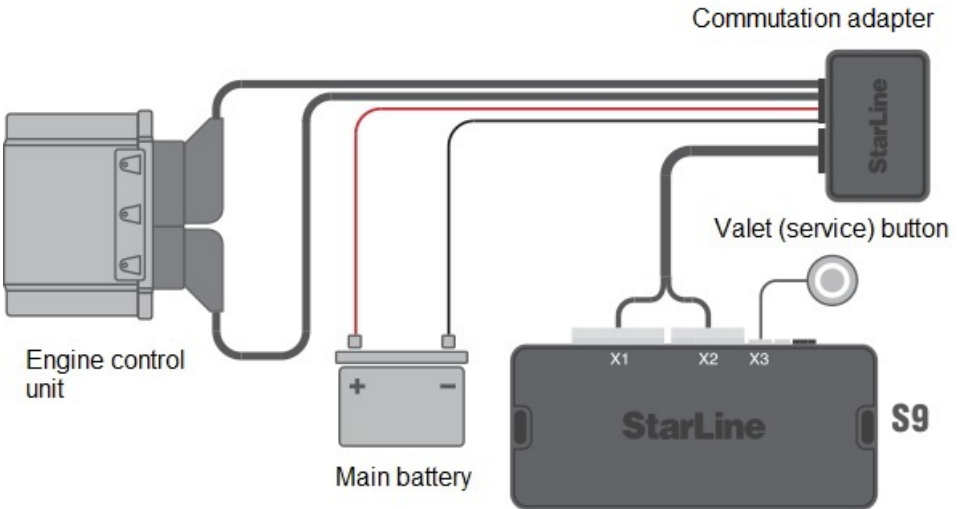
## **Step 2**

1. Switch IGN Off.

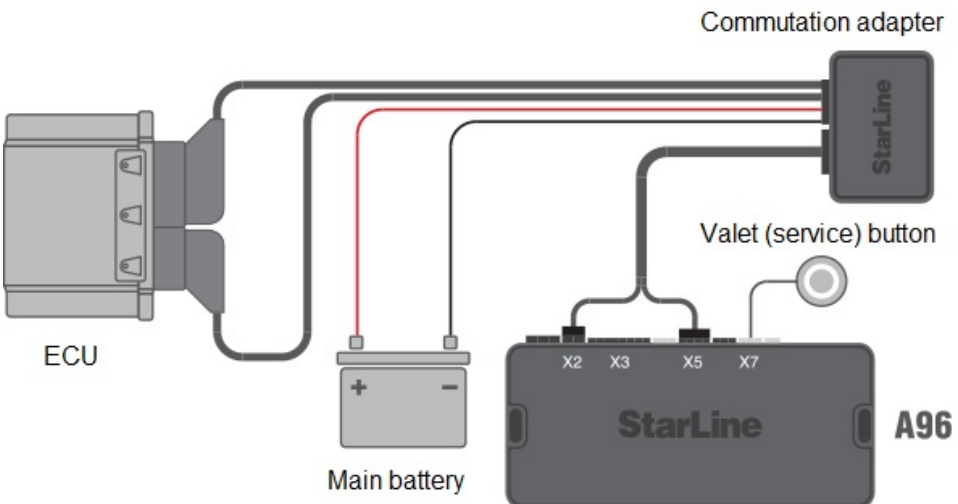
Disconnect main vehicle battery plugs and disconnect engine control unit (ECU) wire connectors carefully.

2. Connect engine control unit (ECU) to StarLine main unit with use of VAG-01 adapter according to diagram.

### **Connection diagram for StarLine S9 E9 models**



### **Connection diagram for StarLine B9 AS9 models**



3. Press valet button 14 times and wait for valet button LED double flash confirmation.
4. Connect StarLine main unit to laptop with StarLine master and make CopyKey procedure.
5. Repeat selecting the correspondent vehicle CAN software (Step 1, p.1-2).
6. Proceed with installation and configuration on vehicle.

Manufacturer reserves the rights to change and improve design and technical specification without prior notice.

Manufacturer:

**ScPA StarLine Ltd**

9A, Komissara Smirnova Str., S.Petersburg, 194044, Russia  
[www.alarmstarline.com](http://www.alarmstarline.com)